



Remote Caller RHH1

Product specification

Update Record

No.	Version	Update	Revise
1	Ver.1.0	Initial	2022.05.18

The document is subject to change without prior notice.

SHENZHEN SYSOLUTION TECHNOLOGY CO., LTD

Introduction

RHH1 enterprise Android VoIP phone is a high-end enterprise color screen phone with DSS intelligent display, with advanced design, high cost performance, paperless office, which will greatly improve enterprise productivity. The new DSS key design with dynamic intelligent color display can replace the traditional expansion board function.

RHH1 intelligent touch display can dynamically display 4 pagination, each page can display 28 DSS key settings, a total of 112 user-definable DSS key mapping; each DSS key can display green, red and orange LED indicators to reflect the current key status.

In addition to its own unique DSS intelligent display function, RHH1 phone has many excellent features, such as high-definition voice, headset and high-performance echo cancellation full duplex speaker, Gigabit Ethernet, QoS, encrypted transmission, automatic configuration, etc.

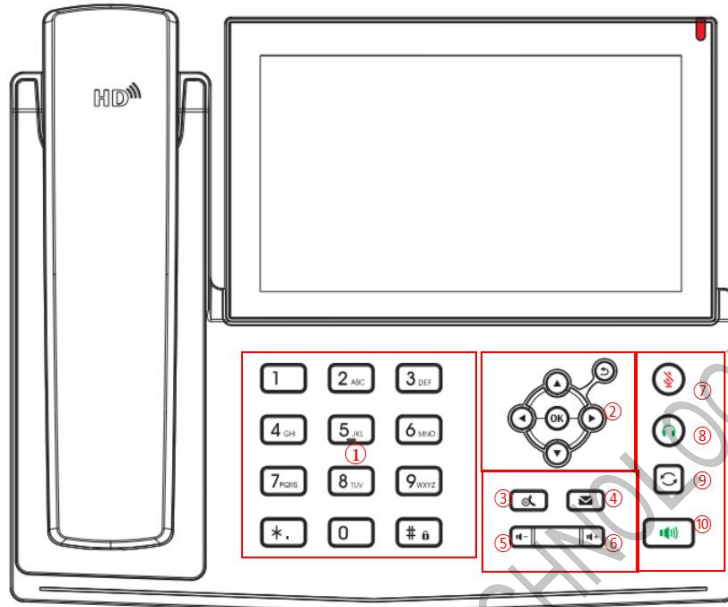
For business users, RHH1 is a very efficient office device. Compared to traditional DSS key labels, the DSS smart display is designed to be environmentally friendly while providing convenient operation; users can flexibly configure and define the functions of DSS keys, which is equivalent to a built-in expansion module, saving space and cost. For enterprise users who pursue high quality and high performance, RHH1 will be a very ideal choice.

Product Image



SHENZHEN SYSOLUTION TECHNOLOGY CO., LTD

Buttons Definition



Button Index	Button Name	Description
①	Standard Buttons	These 12 standard buttons have the standard phone functions. At the same time, some buttons can be triggered to provide special functions by long press.
②	Navigation Button+ OK Button+ Back Button	<p>Users can press the up or down navigation buttons to change the line or move the cursor in the screen list. In some settings and text editing pages, users can press the left or right navigation buttons to change options or move the cursor in the screen list to the left or right.</p> <p>OK Button: Default equals to the soft confirm button. Users can customize its functions.</p>

		Return Button: In any interface, it can be used to return to the previous level menu. During a call, it can be used to reject or hang up the call.
③	"Hold" Button	During a call, users can hold the call by pressing the "Hold" button and release the hold status and return to the normal call status by pressing it again.
④	Voice Message Button	Pressing the "Voice Message" button, users will enter the SMS and voice message list interface.
⑤	Reducing Volume Button	In standby status, ringing or ring configuration interface, pressing this button can reduce the volume. In call or volume adjustment interface, pressing this button can reduce the volume.
⑥	Increasing Volume Button	In standby status, ringing or ring configuration interface, pressing this button can increase the volume. In call or volume adjustment interface, pressing this button can increase the volume.
⑦	Mute Button	During a call, users can mute the microphone by pressing this button.
⑧	Headphone s Button	Users can turn on the headset channel by pressing this button.
⑨	Redial	Pressing the "Redial" button to redial the last number dialed.

	Button	
⑩	Hands-free Button	Users can turn on the hands-free speaker audio channel by pressing this button.

Use of the handle

Regarding the use of the handle, users can pick up the handle to dial a number or dial the number first and then pick up the handle. When turning on the speaker or headset channel, users can switch the audio channel of the phone by picking up or putting down the handle.

Use of hands-free speakerphone

Regarding the use of the hands-free speaker, users can dial the number by pressing the hands-free button first, or dial the number first and then press the hands-free button. When turning on the voice channel of the handle, users can switch the audio channel of the phone by pressing the hands-free speakerphone button.

Use of headphones

Regarding the use of the headset, in the default status, users can turn on the headset channel through the custom headset button. Same as the joystick and hands-free speaker mode, users can turn on the headset before or after selecting a number to dial.

Use of the line keys

Users can use the line buttons to assign a line to call or receive a call. If the handle is off-hook, the phone will be in handle mode. Otherwise, the voice channel will be in hands-free speaker or headset mode.

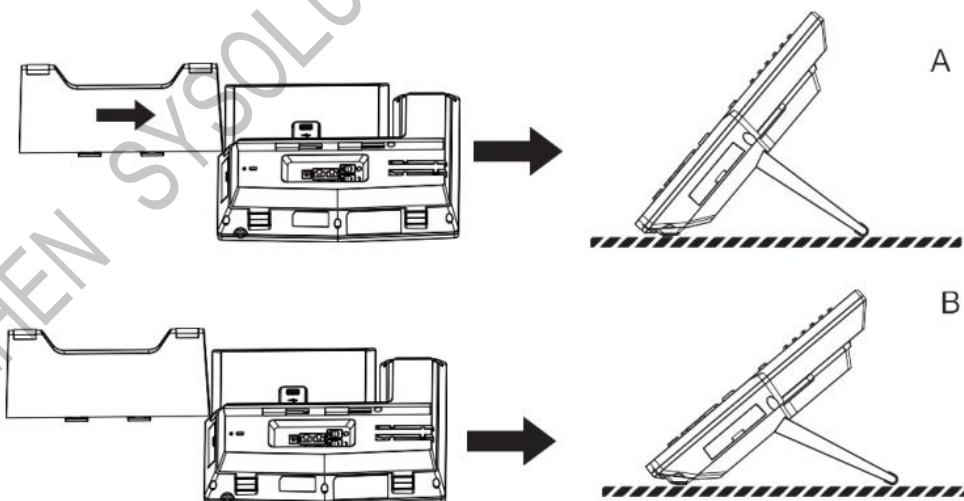
Installation Instructions

The device supports two types of power supply, external power adapter or Ethernet (PoE) switch power mechanism.

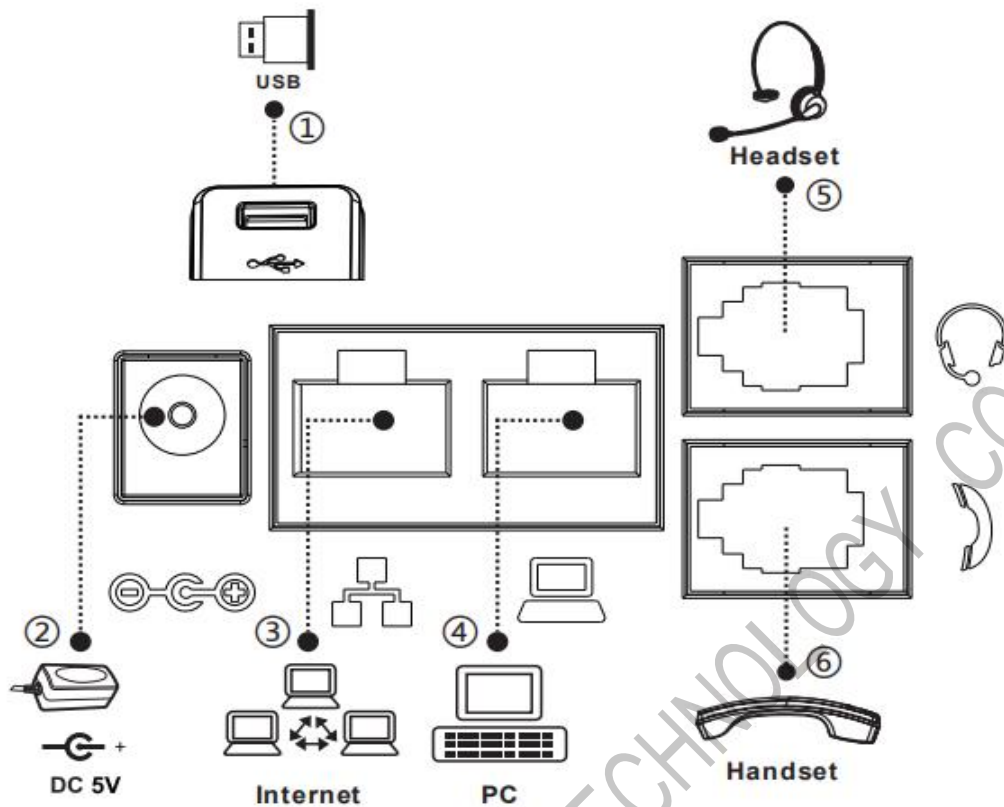
The PoE powering method saves space and the cost of additional power outlets. The device can be connected to a PoE switch via a network cable for power and data transmission. By connecting to the PoE switch of the UPS system, the equipment can continue to work even when power cutoff, same as a traditional PSTN phone powered by a telephone line.

Users who do not have a PoE device can also use a traditional power adapter. If the device is connected to both a PoE switch and a power adapter, the PoE power supply is preferential. If the PoE power supply fails, the power supply will be switched to the power adapter.

The device supports desktop use, the phone is placed on the desktop for use, please follow the instructions in the picture below to install the phone.



Please connect the power adapter, network, PC, phone and headset to the appropriate ports as described in the diagram.



Serial number	Explanation
①	USB interface - external U disk
②	Power supply interface - external standard power supply (5V/2A)
③	WAN port - support external RJ45 network cable port, connect to the Internet
④	LAN port - support external RJ45 network cable port, connected to the local area network
⑤	Headphone interface - support external RJ9 port headphones (ordinary headphones / EHS headphones)
⑥	Handset interface - external RJ9 port of the handset curve

NOTES

1. Please use the power adapter specified by the product. If it is necessary to use the power adapter provided by other manufacturers due to special circumstances, please confirm that the voltage and current of the adapter provided comply with the specifications of this product. At the same time, it is recommended to use the product that has passed the safety certification, otherwise it may cause fire or electric shock accidents. When using this product, do not damage the power cord, do not forcibly twist, stretch, pull and bind it, and do not press it under heavy objects or clip it between objects, otherwise it may cause fire or electric shock accidents caused by power cord damage.
2. Before using the product, please confirm that the temperature and humidity of the environment meet the working requirements of the product. (When the product is moved from the air conditioning room to the natural temperature, the surface or internal components of the product may produce condensed water vapor, which needs to be turned on after the product is dried naturally.)
3. Non-technical service personnel shall not disassemble or repair the product by themselves. Improper repair may cause electric shock, fire and other accidents, and the warranty service of your product will also be invalid.
4. Do not put metal foreign matters such as pins and wires into the vent or gap. Otherwise, it may cause electric shock and other injury accidents caused by current passing through metal foreign objects. If foreign objects or similar metal objects fall into the product, stop using it in time.

5. Do not discard or store the plastic bag used in the packaging in the place where children can get it, so as to prevent children from covering the head, which will cause obstruction of the nose and mouth, thus causing suffocation.
6. Please use this product correctly according to the instructions in this product manual.
Long-term abnormal operation may cause product damage and potential safety hazards.

SHENZHEN SYSOLUTION TECHNOLOGY CO., LTD